

SERIES  
**V-Power**  
Hotmelt Jet Glue Gun

# KAS<sup>®</sup>



**HOTMELT**

**V-Power**  
Hotmelt jet glue gun



## V-Power GLUE GUN

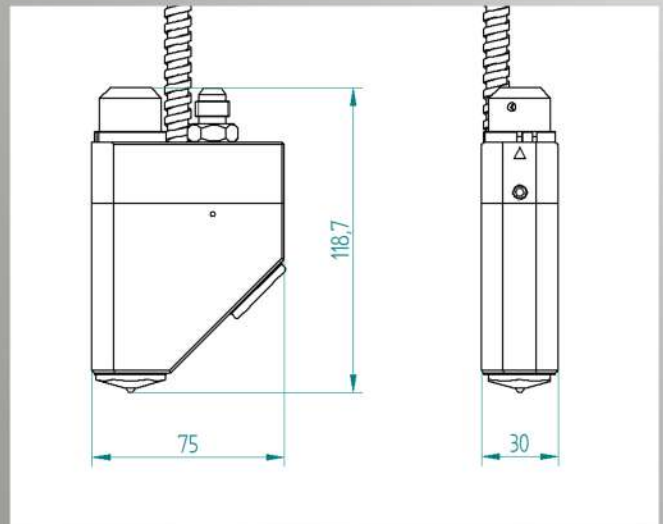
Fully electric glue gun

# Series V-Power

The V-Power hot glue gun is KAS's outstanding development for high-speed dot application of hot melt glue. Of course, it can also be used for traditional line gluing, making it an extremely flexible production tool. This very robust and reliable glue gun is best suited for packaging and converting industry. The pressure ranges up to 80 bar and the viscosity up to 5000 mPas. The sealing mechanism is made with a ceramic ball which avoids piston sticking effects inside the nozzle. V-Power hot melt glue guns can be equipped flexibly with different temperature sensors like PT100, NI120 or NTC. Its fully electrical mechanism combines best performance with a slim design of only 30mm width.



TECHNICAL DATA	V-Power	units
temperature range	0 - 200	°C
temperature monitoring	PT 100	
maximum glue viscosity	5000	mPas
optimum glue viscosity	1500	mPas
electrical connection plug	9-pin	
connection type	1/2-20 UNF	
max. working pressure	80	bar
noise emission	< 70	dB
switching frequency	600	Hz





Technical changes and errors are subject to change

# KAS<sup>®</sup>

KAS GmbH

An der Lehmkuhle 8  
37359 KUELLSTEDT

Tel. +49 36075 589390 

Tel. +49 36075 589391 

Fax +49 36075 589392

email [info@KAS-SYSTEMS.de](mailto:info@KAS-SYSTEMS.de)

web [www.KAS-SYSTEMS.de](http://www.KAS-SYSTEMS.de)

## V-Power Glue Gun

Hotmelt jet glue gun