



SERIES
DLK22
 Jet Glue Gun

KAS[®]



DLK22
 Jet Glue Gun



www.TOPGUARD.tech

DLK22 Glue Gun

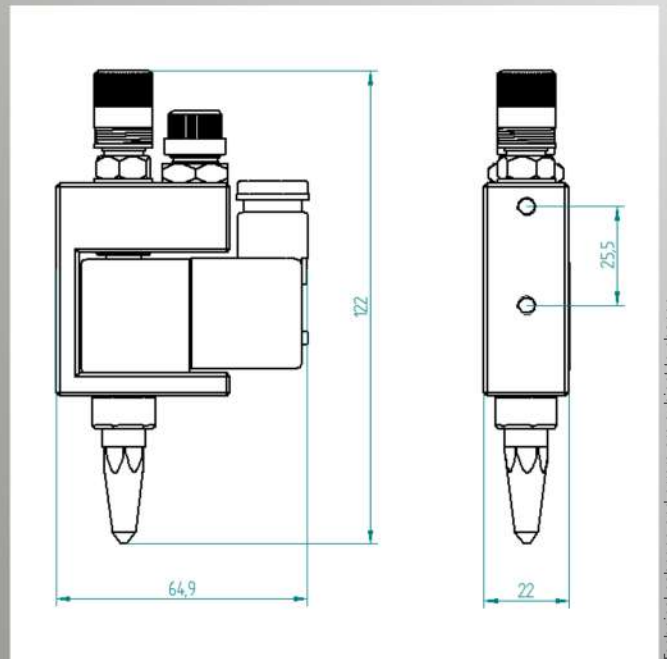
Fully electric glue gun

Series DLK22

The DLK22 gun is the well known working horse in cold glue applications. Its robust and reliable construction paired with good performance and best price has made this gun as the de-facto standard glue gun in overall glue dot and glue line application since more than 20 years. The pressure range of DLK22 glue gun is up to 50 bar and the viscosity range is up to 3000 mPaS. The electrical coil can easily be replaced in order to adapt to different control voltages like 48 VDC, 24 VDC or 6 VDC. The sealing mechanism is made with a ceramic ball which avoids piston sticking effects inside the nozzle. In order to make the glue gun DLK22 most useable, it is already prepared for mounting a start signal sensor on one side and a glue check sensor on the other side.



TECHNICAL DATA	DLK22	units
max. working pressure	50	bar
maximum glue viscosity	3000	mPaS
optimum glue viscosity	1000	mPaS
temperature range	15 - 60	°C
max. relative humidity	70	%
noise emission	< 70	dBa
switching frequency	350	Hz



Technical changes and errors are subject to change



KAS GmbH
 An der Lehmkuhle 8
 37359 KUELLSTEDT
 Tel. +49 36075 589390 
 Tel. +49 36075 589391 
 Fax +49 36075 589392
 email info@KAS-SYSTEMS.de
 web www.KAS-SYSTEMS.de

DLK22 Glue Gun

Fully electric glue gun